

## Snubber MKP Capacitors for Pulse Applications with Double-Sided Metallized Electrodes and Internal Series Connection. Capacitances from 0.047 $\mu\text{F}$ to 8.0 $\mu\text{F}$ . Rated Voltages from 700 VDC to 3000 VDC.

### Special Features

- Pulse duty construction
- Self-healing
- Particularly reliable contact-configurations: 4-pin versions and screwable plate connections
- Internal series connection
- Very low dissipation factor
- Negative capacitance change versus temperature
- AEC-Q200 qualified
- According to RoHS 2011/65/EU

### Typical Applications

- For high pulse and high frequency applications requiring extremely reliable contacts e.g.
- IGBT-applications

### Construction

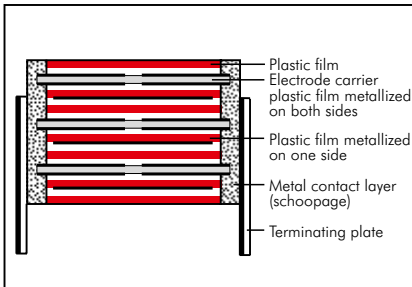
#### Dielectric:

Polypropylene (PP) film

#### Capacitor electrodes:

Double-sided metallized plastic film

#### Internal construction:



#### Encapsulation:

Solvent-resistant, flame-retardant plastic case with epoxy resin seal, UL 94 V-0

#### Terminations:

Tinned wire or plates.

#### Marking:

Colour: Red. Marking: Black.

### Electrical Data

**Capacitance range:** 0.047  $\mu\text{F}$  to 8.0  $\mu\text{F}$

**Rated voltages:** 700 VDC, 850 VDC, 1000 VDC, 1250 VDC, 1700 VDC, 2000 VDC, 2500 VDC, 3000 VDC

#### Capacitance tolerances:

$\pm 20\%$ ,  $\pm 10\%$ ,  $\pm 5\%$  (other tolerances are available subject to special enquiry)

#### Operating temperature range:

$-55^\circ\text{C}$  to  $+105^\circ\text{C}$

#### Insulation resistance at $+20^\circ\text{C}$ :

$C \leq 0.33 \mu\text{F}$ :  $\geq 1 \times 10^5 \text{ M}\Omega$

$C > 0.33 \mu\text{F}$ :  $\geq 30\,000 \text{ sec} (\text{M}\Omega \times \mu\text{F})$

Measuring voltage: 100 V/1 min.

**Test voltage:** 2 sec

L	$\leq 2000 \text{ VDC}$	2500 VDC	$\geq 3000 \text{ VDC}$
< 41.5	$1.6 U_r$	$1.4 U_r$	$1.2 U_r$
41.5	$1.4 U_r$	$1.4 U_r$	$1.2 U_r$
56	$1.2 U_r$	$1.2 U_r$	$1.2 U_r$

#### Climatic test category:

55/100/56 in accordance with IEC

#### Voltage derating:

A voltage derating factor of 1.35 % per K must be applied from  $+85^\circ\text{C}$  for DC voltages and from  $+75^\circ\text{C}$  for AC voltages

#### Reliability:

Operational life > 300 000 hours

Failure rate < 1 fit ( $0.5 \times U_r$  and  $40^\circ\text{C}$ )

#### Specific dissipation:

Box size* WxHxL in mm	Specific dissipation in Watts per K above the ambient temperature
19x31x56	0.068
23x34x56	0.079
27x37.5x56	0.092
33x48x56	0.122
37x54x56	0.142

\* other box sizes see page 11.

#### Dissipation factors at $+20^\circ\text{C}$ : $\tan \delta$

at f	$C \leq 0.1 \mu\text{F}$	$0.1 \mu\text{F} < C \leq 1.0 \mu\text{F}$	$C > 1.0 \mu\text{F}$
1 kHz	$\leq 6 \times 10^{-4}$	$\leq 6 \times 10^{-4}$	$\leq 6 \times 10^{-4}$
10 kHz	$\leq 6 \times 10^{-4}$	$\leq 6 \times 10^{-4}$	-
100 kHz	$\leq 15 \times 10^{-4}$	-	-

#### Maximum pulse rise time:

Capacitance $\mu\text{F}$	max. pulse rise time V/ $\mu\text{sec}$ at $T_A < 40^\circ\text{C}$							
	700 VDC	850 VDC	1000 VDC	1250 VDC	1700 VDC	2000 VDC	2500 VDC	3000 VDC
0.047 ... 0.22	1150	1150	1800	1800	1800	1800	1800	1800
0.33 ... 0.68	900	900	1150	1150	1150	1150	1150	1150
1.0 ... 2.2	500	500	500	500	650	650	650	650
2.5 ... 6.8	190	190	390	390	500	-	-	-
7.0 ... 8.0	90	90	-	-	-	-	-	-

### Mounting Recommendation

Excessive mechanical strain, e.g. pressure or shock onto the capacitor body, is to be avoided during mounting and usage of the capacitors. When fixing the plates the screw torque is to be limited to max. 5 Nm.

For further details and graphs please refer to Technical Information.

### Packing

Packing units at the end of the catalogue.

Packing quantities may vary depending on the plate version.

## Continuation

### General Data

Capacitance	700 VDC/420 VAC*				850 VDC/450 VAC*				1000 VDC/600 VAC*				
	W	H	L	Part number	W	H	L	Part number	W	H	L	Part number	
0.22 "										11	21	31.5	SNMPO132206B_____
										11	22	41.5	SNMPO132207B_____
0.33 "					15	26	31.5	SNMPM033306F_____		15	26	31.5	SNMPO133306F_____
					13	24	41.5	SNMPM033307C_____		13	24	41.5	SNMPO133307C_____
0.47 "	11	21	31.5	SNMPK034706B_____	17	29	31.5	SNMPM034706G_____		17	29	31.5	SNMPO134706G_____
	11	22	41.5	SNMPK034707B_____	15	26	41.5	SNMPM034707D_____		15	26	41.5	SNMPO134707D_____
0.68 "	15	26	31.5	SNMPK036806F_____	17	29	41.5	SNMPM036807E_____		17	29	41.5	SNMPO136807E_____
	13	24	41.5	SNMPK036807C_____									
1.0 µF	17	29	31.5	SNMPK041006G_____	19	32	41.5	SNMPM041007F_____		20	39.5	41.5	SNMPO141007G_____
	15	26	41.5	SNMPK041007D_____						23	34	56	SNMPO141008E_____
1.5 "	19	32	41.5	SNMPK041507F_____	20	39.5	41.5	SNMPM041507G_____		24	45.5	41.5	SNMPO141507H_____
					23	34	56	SNMPM041508E_____		23	34	56	SNMPO141508E_____
2.0 "	20	39.5	41.5	SNMPK042007G_____	24	45.5	41.5	SNMPM042007H_____		31	46	41.5	SNMPO142007I_____
					23	34	56	SNMPM042008E_____		27	37.5	56	SNMPO142008H_____
2.2 "	20	39.5	41.5	SNMPK042207G_____	24	45.5	41.5	SNMPM042207H_____		31	46	41.5	SNMPO142207I_____
					23	34	56	SNMPM042208E_____		27	37.5	56	SNMPO142208H_____
2.5 "	24	45.5	41.5	SNMPK042507H_____	31	46	41.5	SNMPM042507I_____		35	50	41.5	SNMPO142507J_____
					27	37.5	56	SNMPM042508H_____		33	48	56	SNMPO142508J_____
3.0 "	24	45.5	41.5	SNMPK043007H_____	31	46	41.5	SNMPM043007I_____		40	55	41.5	SNMPO143007K_____
					27	37.5	56	SNMPM043008H_____		33	48	56	SNMPO143008J_____
3.3 "	24	45.5	41.5	SNMPK043307H_____	35	50	41.5	SNMPM043307J_____		40	55	41.5	SNMPO143307K_____
					33	48	56	SNMPM043308J_____		33	48	56	SNMPO143308J_____
4.0 "	31	46	41.5	SNMPK044007I_____	35	50	41.5	SNMPM044007J_____		37	54	56	SNMPO144008L_____
					33	48	56	SNMPM044008J_____					
4.7 "	31	46	41.5	SNMPK044707I_____	33	48	56	SNMPM044708J_____		37	54	56	SNMPO144708L_____
5.0 "	31	46	41.5	SNMPK045007I_____	33	48	56	SNMPM045008J_____		37	54	56	SNMPO145008L_____
6.0 "	35	50	41.5	SNMPK046007J_____	37	54	56	SNMPM046008L_____		37	54	56	SNMPO146008L_____
	33	48	56	SNMPK046008J_____									
7.0 "	40	55	41.5	SNMPK047007K_____	37	54	56	SNMPM047008L_____					
	33	48	56	SNMPK047008J_____									
8.0 "	37	54	56	SNMPK048008L_____									

\* AC voltages:  $f \leq 1000 \text{ Hz}$ ;  $1.4 \times U_{\text{rms}} + \text{UDC} \leq U_r$

Dims. in mm.

Ionisation inception level in isolated cases may be lower than admissible rated AC voltage.

Versions and dimensional drawings see page 124.

#### Part number completion:

Version codes see page 126.

Tolerance: 20 % = M

10 % = K

5 % = J

Packing: bulk = S

Pin length: 6-2 = SD

none = 00 (for plate versions)

Rights reserved to amend design data without prior notification.

Continuation page 116



## Continuation

### General Data

Capacitance	1250 VDC/600 VAC*				1700 VDC/650 VAC*				2000 VDC/700 VAC*			
	W	H	L	Part number	W	H	L	Part number	W	H	L	Part number
0.068 $\mu$ F									11	21	31.5	SNMPTA026806B
									11	22	41.5	SNMPTA026807B
0.1 $\mu$ F					11	21	31.5	SNMPTA31006B	13	24	31.5	SNMPTA031006D
0.15 "					11	22	41.5	SNMPTA31007B	11	22	41.5	SNMPTA031007B
					13	24	31.5	SNMPTA31506D	15	26	31.5	SNMPTA031506F
0.22 "	11	21	31.5	SNMPTA31507B	11	22	41.5	SNMPTA31507B	13	24	41.5	SNMPTA031507C
	11	22	41.5	SNMPTA32206F	15	26	31.5	SNMPTA32206F	15	26	41.5	SNMPTA032207D
0.33 "	15	26	31.5	SNMPTA32207C	13	24	41.5	SNMPTA32207C				
	13	24	41.5	SNMPTA33306I	17	34.5	31.5	SNMPTA33306I	19	32	41.5	SNMPTA033307F
0.47 "	15	26	31.5	SNMPTA33307D	15	26	41.5	SNMPTA33307D				
	17	29	31.5	SNMPTA34707G	19	32	41.5	SNMPTA34707F	20	39.5	41.5	SNMPTA034707G
0.68 "	15	26	41.5	SNMPTA36807E					23	34	56	SNMPTA034708E
	17	29	41.5	SNMPTA36807E	20	39.5	41.5	SNMPTA36807G	24	45.5	41.5	SNMPTA036807H
				23	34	56	SNMPTA36808E	27	37.5	56	SNMPTA036808H	
1.0 $\mu$ F	20	39.5	41.5	SNMPTA41007H	24	45.5	41.5	SNMPTA41007H	35	50	41.5	SNMPTA041007J
	23	34	56	SNMPTA41008H	27	37.5	56	SNMPTA41008H	33	48	56	SNMPTA041008J
1.5 "	24	45.5	41.5	SNMPTA41507I	31	46	41.5	SNMPTA41507I	40	55	41.5	SNMPTA041507K
	23	34	56	SNMPTA41508H	27	37.5	56	SNMPTA41508H	33	48	56	SNMPTA041508J
2.0 "	31	46	41.5	SNMPTA42007K	40	55	41.5	SNMPTA42007K	37	54	56	SNMPTA042008L
	27	37.5	56	SNMPTA42008J	33	48	56	SNMPTA42008J				
2.2 "	31	46	41.5	SNMPTA42207K	40	55	41.5	SNMPTA42207K	37	54	56	SNMPTA042008L
	27	37.5	56	SNMPTA42208J	33	48	56	SNMPTA42208J				
2.5 "	35	50	41.5	SNMPTA42508L	37	54	56	SNMPTA42508L				
	33	48	56	SNMPTA43007K								
3.0 "	40	55	41.5	SNMPTA43008L	37	54	56	SNMPTA43008L				
	33	48	56	SNMPTA43307K								
3.3 "	40	55	41.5	SNMPTA43308J								
	33	48	56	SNMPTA44008L								
4.0 "	37	54	56	SNMPTA44708L								
4.7 "	37	54	56	SNMPTA45008L								
5.0 "	37	54	56	SNMPTA46008L								
6.0 "	37	54	56									

\* AC voltages:  $f \leq 1000$  Hz;  $1.4 \times U_{rms} + U_{DC} \leq U_r$

Dims. in mm.

Ionisation inception level in isolated cases may be lower than admissible rated AC voltage.

Versions and dimensional drawings see page 124.

Part number completion:
Version codes see page 126.
Tolerance: 20 % = M
10 % = K
5 % = J
Packing: bulk = S
Pin length: 6-2 = SD
none = 00 (for plate versions)

Rights reserved to amend design data without prior notification.

Continuation page 117

## Continuation

### General Data

Capacitance	2500 VDC/700 VAC*				3000 VDC/700 VAC*				
	W	H	L	Part number	W	H	L	Part number	
0.047 $\mu$ F	11	21	31.5	SNMPV024706B	11	21	31.5	SNMPW024706B	
	11	22	41.5	SNMPV024707B	11	22	41.5	SNMPW024707B	
	0.068 "	13	24	31.5	SNMPV026806D	13	24	31.5	SNMPW026806D
		11	22	41.5	SNMPV026807B	11	22	41.5	SNMPW026807B
0.1 $\mu$ F	15	26	31.5	SNMPV031006F	15	26	31.5	SNMPW031006F	
	13	24	41.5	SNMPV031007C	13	24	41.5	SNMPW031007C	
0.15 "	15	26	41.5	SNMPV031507D	15	26	41.5	SNMPW031507D	
0.22 "	19	32	41.5	SNMPV032207F	19	32	41.5	SNMPW032207F	
0.33 "	24	45.5	41.5	SNMPV033307H	24	45.5	41.5	SNMPW033307H	
0.47 "	31	46	41.5	SNMPV034707I	31	46	41.5	SNMPW034707I	
	27	37.5	56	SNMPV034708H	27	37.5	56	SNMPW034708H	
0.68 "	35	50	41.5	SNMPV036807J	35	50	41.5	SNMPW036807J	
	33	48	56	SNMPV036808J	33	48	56	SNMPW036808J	
1.0 $\mu$ F	40	55	41.5	SNMPV041007K	40	55	41.5	SNMPW041007K	
	33	48	56	SNMPV041008J	33	48	56	SNMPW041008J	
1.5 "	37	54	56	SNMPV041508L	37	54	56	SNMPW041508L	

\* AC voltages:  $f \leq 1000$  Hz;  $1.4 \times U_{rms} + UDC \leq U_r$

Dims. in mm.

Ionisation inception level in isolated cases may be lower than admissible rated AC voltage.

Versions and dimensional drawings see page 122.

#### Part number completion:

Version codes see page 124.

Tolerance: 20 % = M

10 % = K

5 % = J

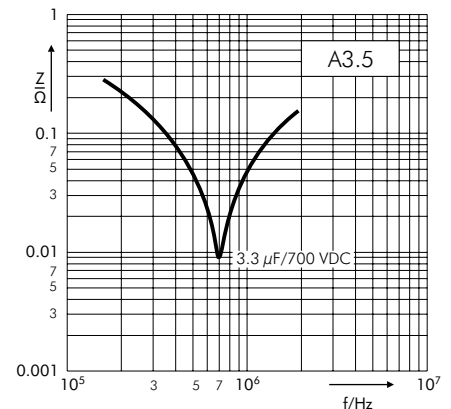
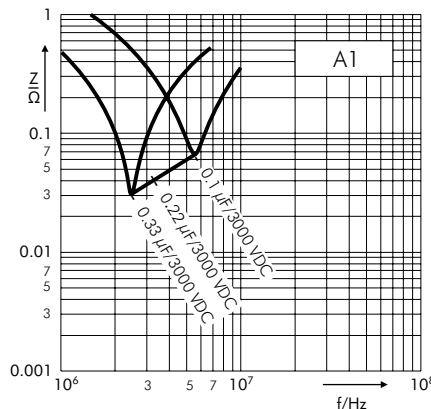
Packing: bulk = S

Pin length: 6-2 = SD

none = 00 (for plate versions)

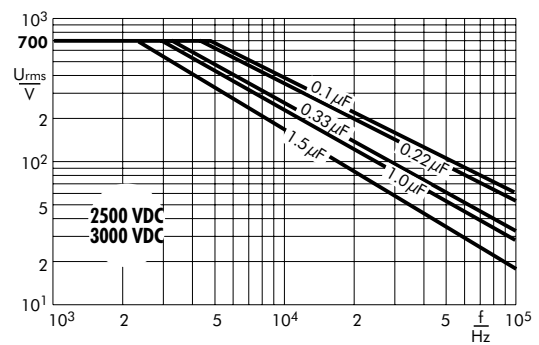
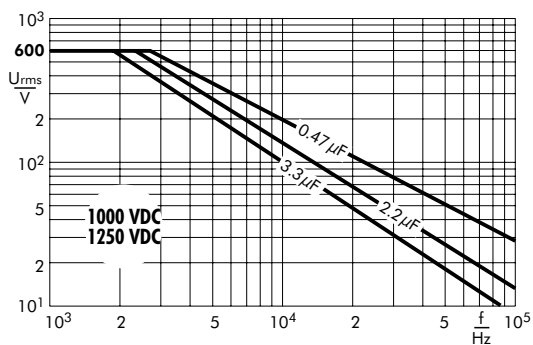
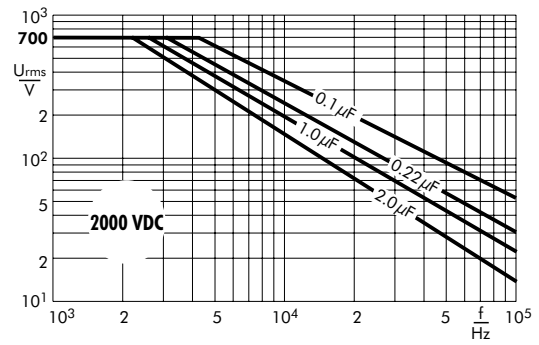
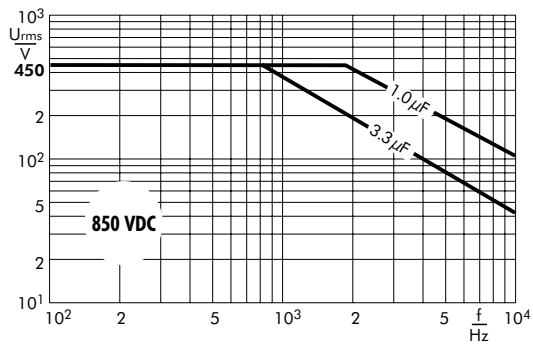
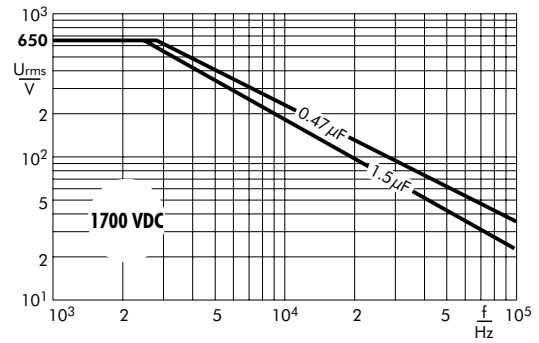
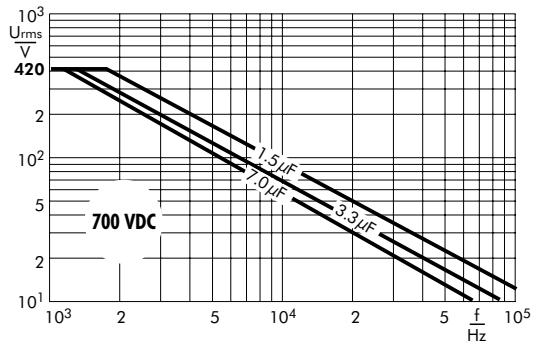
Rights reserved to amend design data without prior notification.

Impedance change with frequency (general guide) (examples).



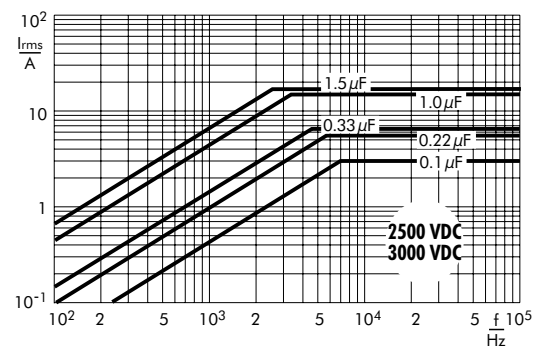
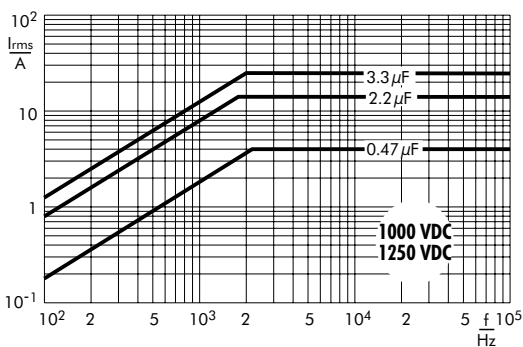
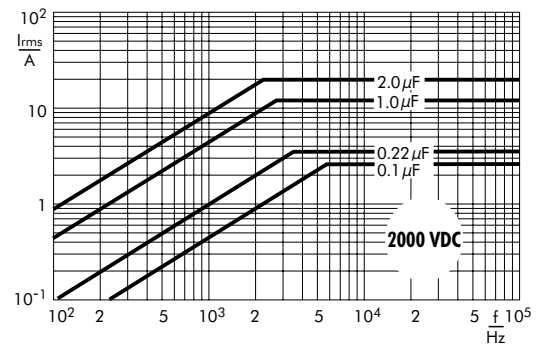
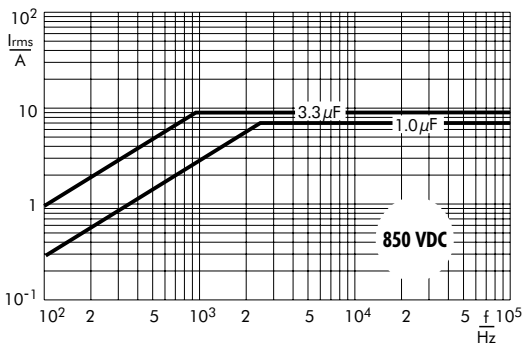
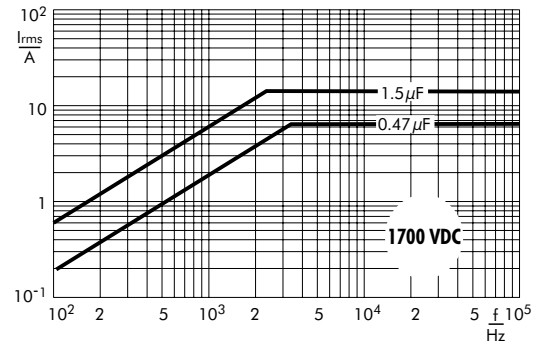
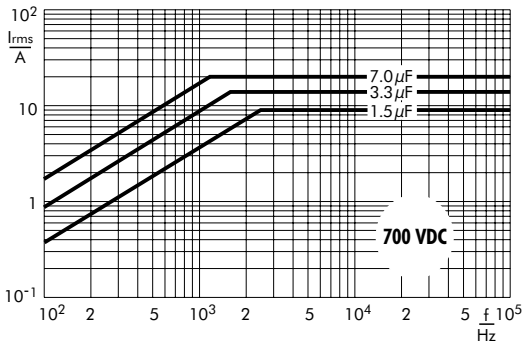
## Continuation

Permissible AC voltage in relation to frequency till 15° C internal temperature rise (general guide).

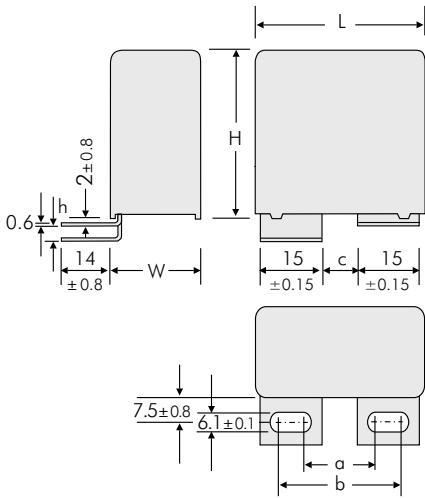


## Continuation

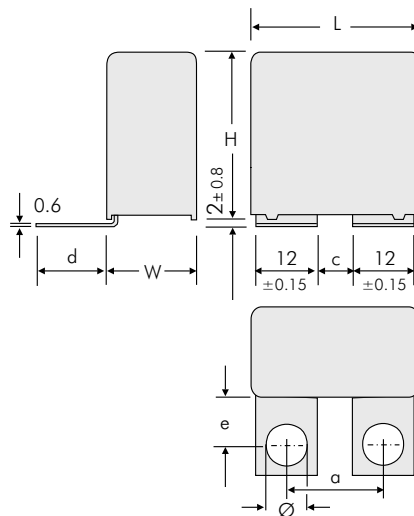
Permissible AC current in relation to frequency till 15° C internal temperature rise (general guide).



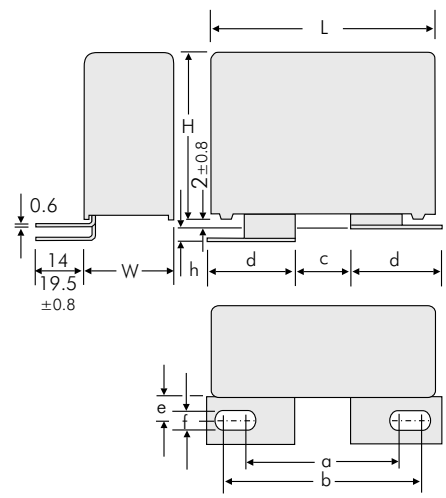
# Versions of WIMA Snubber-Capacitors



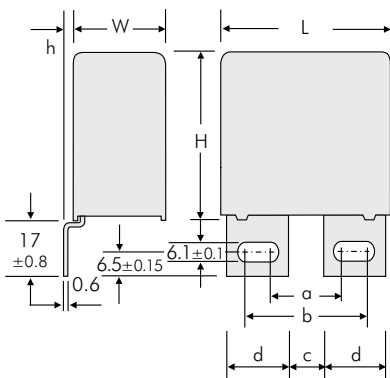
Version	L	a ±0.5	b ±0.5	c ±0.5	h ±0.8
<b>A1</b>	41.5	17.5	28	7.5	0
<b>A1.5</b>	41.5	17.5	28	7.5	3.5
<b>A1</b>	56	20	30	10	0
<b>A1.1.1</b>	56	28	38	18	0
<b>A1.4.1</b>	56	28	38	18	3.5



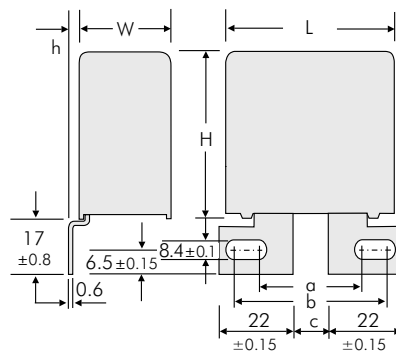
Version	L	a ±0.5	c ±0.5	d ±0.8	e ±0.8	Ø ±0.1
<b>A1.6</b>	41.5	18	6	21.5	16	7
<b>A1.6.1</b>	41.5	22	10	18.5	13	7
<b>A1.6.2</b>	41.5	23	10	18.5	13	8
<b>A1.6</b>	56	29	17	21.5	16	7



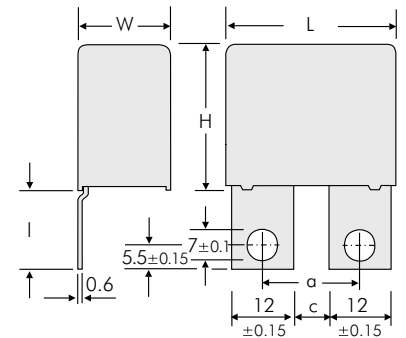
Version	L	a ±0.5	b ±0.5	c ±0.5	d ±0.15	e ±0.8	f ±0.1	h ±0.8
<b>A2</b>	41.5	36	46.5	14.5	22	7.5	8.4	0
<b>A2.4.1</b>	41.5	33.5	39.5	7.5	22	13	8.4	0
<b>A2.6.1</b>	41.5	31.5	41.5	14	22	13	6.1	3.5
<b>A2.6.2</b>	41.5	31.5	41.5	14	22	13	6.1	0
<b>A2.8</b>	41.5	36	46.5	14.5	22	7.5	8.4	3.5
<b>A2.1</b>	56	39.5	45.5	13.5	22	7.5	8.4	0
<b>A2.1.2</b>	56	36	45.5	14.5	21.5	7.5	8.4	0



Version	L	a ±0.5	b ±0.5	c ±0.5	d ±0.15	h ±0.8
<b>A3</b>	41.5	17.5	27.5	7.5	15	0
<b>A3.5</b>	41.5	17.5	27.5	7.5	15	3
<b>A3.12</b>	41.5	17.5	30	7.5	16.5	0
<b>A3</b>	56	20	30	10	15	0
<b>A3.1</b>	56	28	38	18	15	0
<b>A3.5</b>	56	20	30	10	15	3
<b>A3.10</b>	56	28	38	18	15	3

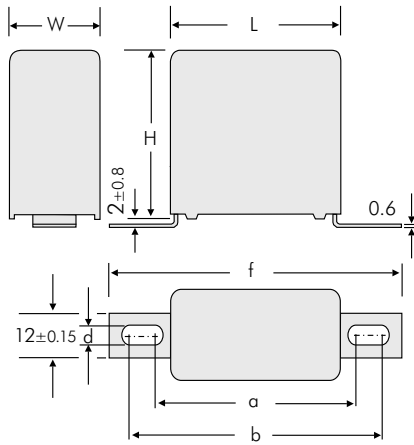


Version	L	a ±0.5	b ±0.5	c ±0.5	h ±0.8
<b>A3.9</b>	41.5	36	46.5	14.5	0
<b>A3.11</b>	41.5	36	46.5	14.5	3
<b>A3.2</b>	56	36	46.5	14.5	0
<b>A3.3</b>	56	36	46.5	14.5	3

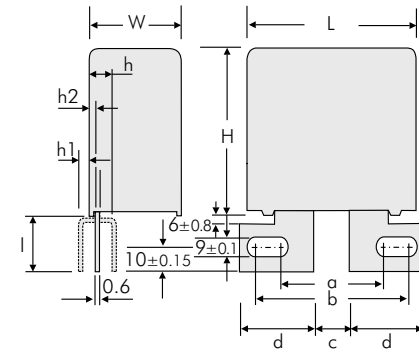


Version	L	a ±0.5	c ±0.5	l ±0.8
<b>A3.8</b>	41.5W ≥ 17	18	6	23
<b>A3.8.1</b>	41.5W ≥ 17	22	10	17.5
<b>A3.8.2</b>	41.5W ≥ 17	22	10	23

# Versions of WIMA Snubber-Capacitors

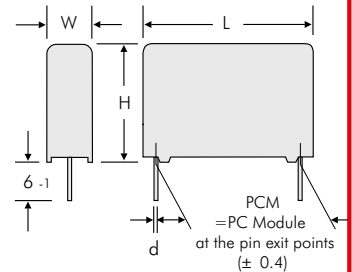


Version	L	a ±0.8	b ±0.8	f ±0.8	d ±0.1
<b>A4.9</b>	31.5 W ≥ 15	44	47	57	4.5
<b>A4.10</b>	31.5 W ≥ 15	43	59	69	6.1
<b>A4.2</b>	41.5 W ≥ 15	54	57	67	4.5
<b>A4</b>	41.5 W ≥ 15	53	69	79	6.1
<b>A4.7</b>	56	65	68	78	4.5
<b>A4</b>	56	64	80	90	6.1



Version	W	a ±0.5	b ±0.5	c ±0.5	d ±0.15	h ±0.8	h1 ±0.8	h2 ±0.8	l ±0.8
<b>A6</b>	≥ 23	41.5	45.5	15.5	24.15	7	-	-	26
<b>A6.3</b>	≥ 19	35	39	18	19	-	5	3	25
<b>A6.4</b>	≥ 23	42.8	44.8	21	21.5	-	-	6.4	26

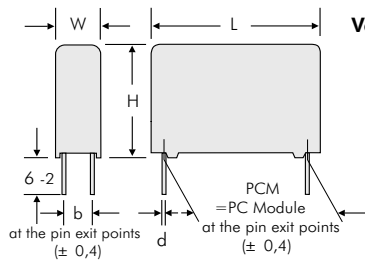
2-pin version



PCM	d
28.5	0.8
38.5	1.2
49.5	1.2

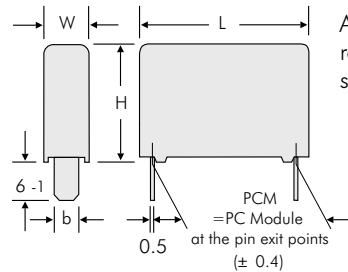
Dims. in mm

4-pin version



W	H	L	PCM	b	d
11	21	31.5	27.5	5	0.8
13	24	31.5	27.5	7.5	0.8
15	26	31.5	27.5	7.5	0.8
17	29	31.5	27.5	10	0.8
19	30	31.5	27.5	10	0.8
17	34.5	31.5	27.5	10	0.8
20	39.5	31.5	27.5	12.5	0.8
22	43.5	31.5	27.5	12.5	0.8
11	22	41.5	37.5	5	1
13	24	41.5	37.5	7.5	1
15	26	41.5	37.5	7.5	1
17	29	41.5	37.5	10	1
19	32	41.5	37.5	10	1
20	39.5	41.5	37.5	12.5	1
24	45.5	41.5	37.5	12.5	1
31	46	41.5	37.5	20	1
35	50	41.5	37.5	20	1
40	55	41.5	37.5	20	1
19	31	56	48.5	12.5	1
23	34	56	48.5	15	1
27	37.5	56	48.5	15	1
33	48	56	48.5	20	1
37	54	56	48.5	20	1

Version B



L	PCM	b ±0.15
31.5	28.5	8
41.5	38.5	8
56	49.5	8

Additional special versions can be realized. Please contact us with your specific needs.





# Versions of WIMA Snubber-Capacitors

Version code		D2	D4	B8	1A	1B	1G	1H	1I	1J	1S	2A	2B	2Q	2F	2J	2K	2M	3A	3C	3D	3E	3G	3K	3L	3M	3N	3O	3P	3Q	4A	4C	4J	4L	4M	6A	6B	6C							
W x H x L	Size code	2-pin	4-pin	B8	A1	A1.1	A1.4.1	A1.5	A1.6	A1.6.1	A1.6.2	A2	A2.1	A2.1.2	A2.4.1	A2.6.1	A2.6.2	A2.8	A3	A3.1	A3.2	A3.3	A3.5	A3.8	A3.8.1	A3.8.2	A3.9	A3.10	A3.11	A3.12	A4	A4.2	A4.7	A4.9	A4.10	A6	A6.3	A6.4							
		11 x 21 x 31.5	<b>6B</b>																																										
13 x 24 x 31.5	<b>6D</b>																																												
15 x 26 x 31.5	<b>6F</b>																																												
17 x 29 x 31.5	<b>6G</b>																																												
17 x 34.5 x 31.5	<b>6I</b>																																												
11 x 22 x 41.5	<b>7B</b>																																												
13 x 24 x 41.5	<b>7C</b>																																												
15 x 26 x 41.5	<b>7D</b>																																												
17 x 29 x 41.5	<b>7E</b>																																												
19 x 32 x 41.5	<b>7F</b>																																												
20 x 39.5 x 41.5	<b>7G</b>																																												
24 x 45.5 x 41.5	<b>7H</b>																																												
31 x 46 x 41.5	<b>7I</b>																																												
35 x 50 x 41.5	<b>7J</b>																																												
40 x 55 x 41.5	<b>7K</b>																																												
19 x 31 x 56	<b>8D</b>																																												
23 x 34 x 56	<b>8E</b>																																												
27 x 37.5 x 56	<b>8H</b>																																												
33 x 48 x 56	<b>8J</b>																																												
37 x 54 x 56	<b>8L</b>																																												

Possible connecting respective plate versions - depending on box size.

■ 4-pin versions on request.

## Recommendation for Processing and Application of Through-Hole Capacitors

### Soldering Process

Internal temperature of the capacitor must be kept as follows:

Polyester: preheating:  $T_{max.} \leq 125^{\circ}C$   
 soldering:  $T_{max.} \leq 135^{\circ}C$

Polypropylene: preheating:  $T_{max.} \leq 100^{\circ}C$   
 soldering:  $T_{max.} \leq 110^{\circ}C$

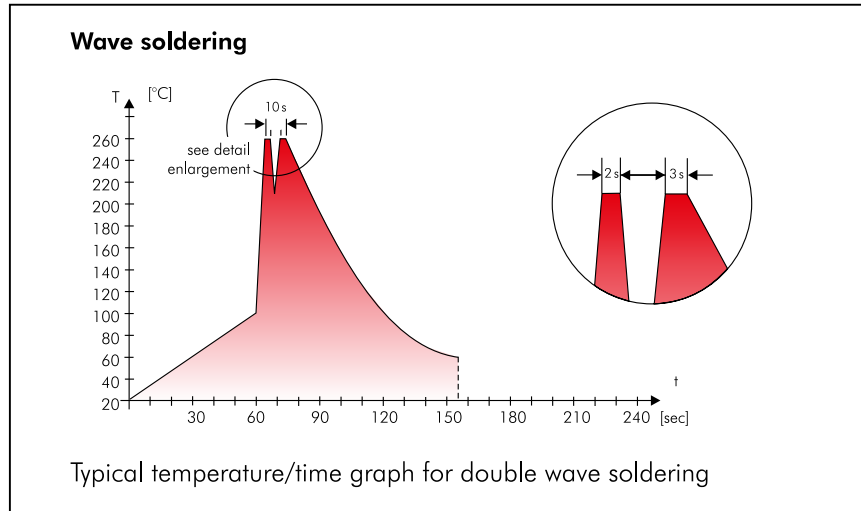
### Single wave soldering

Soldering bath temperature:  $T < 260^{\circ}C$   
 Dwell time:  $t < 5 \text{ sec}$

### Double wave soldering

Soldering bath temperature:  $T < 260^{\circ}C$   
 Dwell time:  $\Sigma t < 5 \text{ sec}$

Due to different soldering processes and heat requirements the graphs are to be regarded as a recommendation only.



## WIMA Quality and Environmental Philosophy

### ISO 9001:2015 Certification

ISO 9001:2015 is an international basic standard of quality assurance systems for all branches of industry. The approval according to ISO 9001:2015 of our factories by the infaz (Institut für Auditierung und Zertifizierung) certifies that organisation, equipment and monitoring of quality assurance in our factories correspond to internationally recognized standards.

### WIMA WPCS

The WIMA Process Control System (WPCS) is a quality surveillance and optimization system developed by WIMA. WPCS is a major part of the quality-oriented WIMA production. Points of application during production process:

- incoming material inspection
- metallization
- film inspection
- schoopage
- pre-healing
- pin attachment
- cast resin preparation/encapsulation
- 100% final inspection
- Testing as per customer requirements

### WIMA Environmental Policy

All WIMA capacitors, irrespective of whether through-hole devices or SMD, are made of environmentally friendly materials. Neither during manufacture nor in the product itself any toxic substances are used, e.g.

- Lead
- PCB
- CFC
- Hydrocarbon chloride
- Chromium 6+
- PBB/PBDE
- Arsenic
- Cadmium
- Mercury
- etc.

We merely use pure, recyclable materials for packing our components, such as:

- carton
- cardboard
- adhesive tape made of paper
- polystyrene

We almost completely refrain from using packing materials such as:

- adhesive tapes made of plastic
- metal clips

### RoHS Compliance

According to the RoHS Directive 2011/65/EU as amended from time to time certain hazardous substances like e.g. lead, cadmium, mercury must not be used any longer in electronic equipment as of July 1st, 2006. For the sake of the environment WIMA has refrained from using such substances since years already.



WIMA Kondensatoren sind bleifrei konform RoHS 2011/65/EU

WIMA capacitors are lead free in accordance with RoHS 2011/65/EU

Tape for lead-free WIMA capacitors

### DIN EN ISO 14001:2004

WIMA's environmental management has been established in accordance with the guidelines of DIN EN ISO 14001:2004 to optimize the production processes with regard to energy and resources.

# Typical Dimensions for Taping Configuration

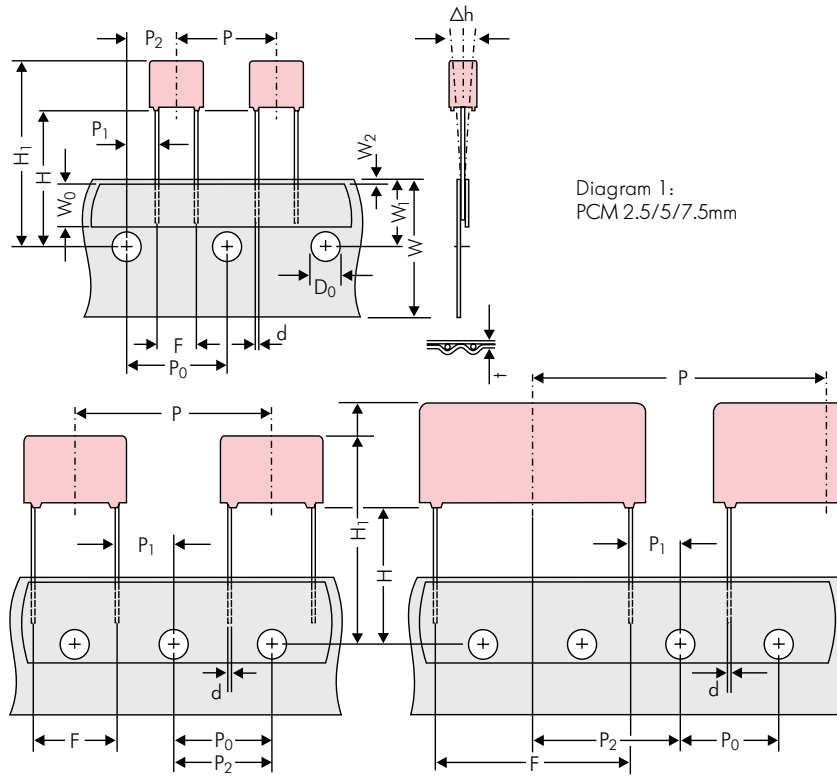


Diagram 1:  
PCM 2.5/5/7.5mm

Diagram 2: PCM 10/15 mm

Diagram 3: PCM 22.5 and 27.5\*mm

\*PCM 27.5 taping possible with two feed holes between components

Designation	Symbol	Dimensions for Radial Taping						
		PCM 2.5 taping	PCM 5 taping	PCM 7.5 taping	PCM 10 taping*	PCM 15 taping*	PCM 22.5 taping	PCM 27.5 taping
Carrier tape width	W	18.0 ±0.5	18.0 ±0.5	18.0 ±0.5	18.0 ±0.5	18.0 ±0.5	18.0 ±0.5	18.0 ±0.5
Hold-down tape width	W <sub>0</sub>	6.0 for hot-sealing adhesive tape	6.0 for hot-sealing adhesive tape	12.0 for hot-sealing adhesive tape	12.0 for hot-sealing adhesive tape	12.0 for hot-sealing adhesive tape	12.0 for hot-sealing adhesive tape	12.0 for hot-sealing adhesive tape
Hole position	W <sub>1</sub>	9.0 ±0.5	9.0 ±0.5	9.0 ±0.5	9.0 ±0.5	9.0 ±0.5	9.0 ±0.5	9.0 ±0.5
Hold-down tape position	W <sub>2</sub>	0.5 to 3.0 max.	0.5 to 3.0 max.	0.5 to 3.0 max.	0.5 to 3.0 max.	0.5 to 3.0 max.	0.5 to 3.0 max.	0.5 to 3.0 max.
Feed hole diameter	D <sub>0</sub>	4.0 ±0.2	4.0 ±0.2	4.0 ±0.2	4.0 ±0.2	4.0 ±0.2	4.0 ±0.2	4.0 ±0.2
Pitch of component	P	12.7 ±1.0	12.7 ±1.0	12.7 ±1.0	25.4 ±1.0	25.4 ±1.0	38.1 ±1.5	38.1 ±1.5 or 50.8 ±1.5
Feed hole pitch	P <sub>0</sub>	12.7 ±0.3 cumulative pitch error max. 1.0 mm/20 pitch	12.7 ±0.3 cumulative pitch error max. 1.0 mm/20 pitch	12.7 ±0.3 cumulative pitch error max. 1.0 mm/20 pitch	12.7 ±0.3 cumulative pitch error max. 1.0 mm/20 pitch	12.7 ±0.3 cumulative pitch error max. 1.0 mm/20 pitch	12.7 ±0.3 cumulative pitch error max. 1.0 mm/20 pitch	12.7 ±0.3 cumulative pitch error max. 1.0 mm/20 pitch
Feed hole centre to pin	P <sub>1</sub>	5.1 ±0.5	3.85 ±0.7	2.6 ±0.7	7.7 ±0.7	5.2 ±0.7	7.8 ±0.7	5.3 ±0.7
Hole centre to component centre	P <sub>2</sub>	6.35 ±1.3	6.35 ±1.3	6.35 ±1.3	12.7 ±1.3	12.7 ±1.3	19.05 ±1.3	19.05 ±1.3
Feed hole centre to bottom edge of the component	H	16.5 ±0.3 18.5 ±0.5	16.5 ±0.3 18.5 ±0.5	16.5 ±0.5 18.5 ±0.5	16.5 ±0.5 18.5 ±0.5	16.5 ±0.5 18.5 ±0.5	16.5 ±0.5 18.5 ±0.5	16.5 ±0.5 18.5 ±0.5
Feed hole centre to top edge of the component	H <sub>1</sub>	H+H <sub>component</sub> < H <sub>1</sub> 32.25 max.	H+H <sub>component</sub> < H <sub>1</sub> 32.25 max.	H+H <sub>component</sub> < H <sub>1</sub> 24.5 to 31.5	H+H <sub>component</sub> < H <sub>1</sub> 25.0 to 31.5	H+H <sub>component</sub> < H <sub>1</sub> 26.0 to 37.0	H+H <sub>component</sub> < H <sub>1</sub> 30.0 to 43.0	H+H <sub>component</sub> < H <sub>1</sub> 35.0 to 45.0
Pin spacing at upper edge of carrier tape	F	2.5 ±0.5	5.0 <sup>+0.8</sup> <sub>-0.2</sub>	7.5 ±0.8	10.0 ±0.8	15 ±0.8	22.5 ±0.8	27.5 ±0.8
Pin diameter	d	0.4 ±0.05	0.5 ±0.05	0.5 ±0.05 or 0.6 <sup>+0.06</sup> <sub>-0.05</sub>	0.5 ±0.05 or 0.6 <sup>+0.06</sup> <sub>-0.05</sub>	0.8 <sup>+0.08</sup> <sub>-0.05</sub>	0.8 <sup>+0.08</sup> <sub>-0.05</sub>	0.8 <sup>+0.08</sup> <sub>-0.05</sub>
Component alignment	Δh	± 2.0 max.	± 2.0 max.	± 3.0 max.	± 3.0 max.	± 3.0 max.	± 3.0 max.	± 3.0 max.
Total tape thickness	t	0.6 ±0.2	0.6 ±0.2	0.6 ±0.2	0.6 ±0.2	0.6 ±0.2	0.6 ±0.2	0.6 ±0.2
Package (see also page 162)	ROLL/AMMO			AMMO				
	REEL	φ 360 max. φ 30 ±1	B 52 ±2 58 ±2 } depending on comp. dimensions	REEL	φ 360 max. φ 30 ±1	52 ±2 58 ±2 or 66 ±2	REEL	φ 500 max. φ 25 ±1
Unit	see details page 163.							

Dims in mm.

\* Diameter of pins see General Data.

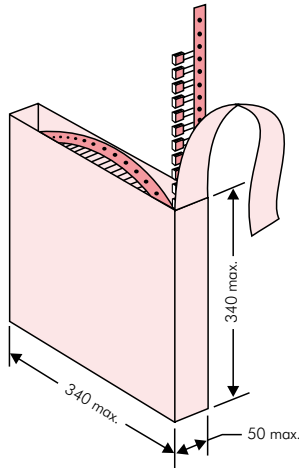
\* PCM 10 and PCM 15 can be crimped to PCM 7.5.

Position of components according to PCM 7.5 (sketch 11). P<sub>0</sub> = 12.7 or 15.0 is possible

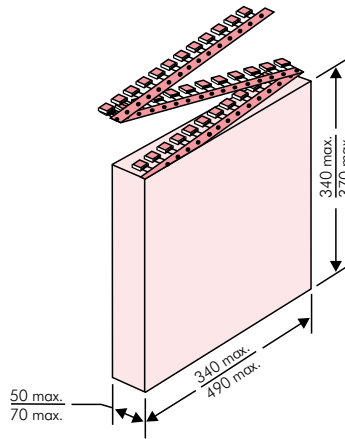
Please clarify customer-specific deviations with the manufacturer.

## Types of Tape Packaging of Capacitors for Automatic Radial Insertion

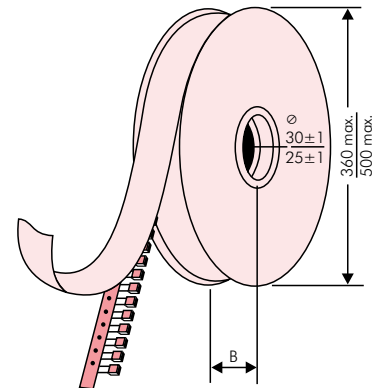
### ■ ROLL Packaging



### ■ AMMO Packaging



### ■ REEL Packaging



## BAR CODE (Labelling)

Labelling of package units in plain text and with alphanumerical Bar Code

- WIMA supplier number
- Date code
- Customer's P/O number
- P/O line
- Customer's part number
- WIMA part number
- Quantity
- WIMA confirmation number
- Country of origin
- Customer name
- Handling unit number
- Week of delivery.

In addition part description of

- article
- capacitance value
- rated voltage
- dimensions
- technical note
- capacitance tolerance
- packing
- connecting information

BARCODE PDF417  
BARCODE 2D Datamatrix

<b>WIMA</b> Best Capacitors Made in Germany	
Werk Aurich	
Supplier - ID: LIEF.NR.	Date Code: 20210419
Purchase Order No. (P/O): Bestellung xyz	P/O line: 100
Customer Part No.: KUNDENTEILENUMMER	
WIMA Part No.: MKP1F041006B00KSSD	Quantity: 459
WIMA Confirmation No.: 0001105072000100	
Customer No.: 0000100002	RoHS 2011/65/EU
Gross Weight [g]: 4557	COO: DE
<b>WIMA - MKP 10</b> WIMA Part No.: MKP1F041006B00KSSD MKP 10 1.0 µF 250 VDC 11x21x31.5 RM27.5 Standard 10%    Lose - Standard    Drähte 6-2 Vorlage Debitor Inland	
	0001105072000100
1002021443	QTY: 459    Week 19/2021

# Packing Quantities for Capacitors with Radial Pins in PCM 2.5 mm to 22.5 mm



PCM	Size				bulk	pcs. per packing unit								
						ROLL		REEL				AMMO		
	W	H	L	Codes		S	H16.5	H18.5	ø 360	ø 500	340 x 340	490 x 370		
					N	O	F	I	H	J	A	C	B	D
<b>2.5 mm</b>	2.5	7	4.6	<b>0B</b>	5000		2200		2500			2800		
	3	7.5	4.6	<b>0C</b>	5000		2000		2300			2300		
	3.8	8.5	4.6	<b>0D</b>	5000		1500		1800			1800		
	4.6	9	4.6	<b>0E</b>	5000		1200		1500			1500		
	5.5	10	4.6	<b>0F</b>	5000		900		1200			1200		
<b>5 mm</b>	2.5	6.5	7.2	<b>1A</b>	5000		2200		2500			2800		
	3	7.5	7.2	<b>1B</b>	5000		2000		2300			2300		
	3.5	8.5	7.2	<b>1C</b>	5000		1600		2000			2000		
	4.5	6	7.2	<b>1D</b>	6000		1300		1500			1500		
	4.5	9.5	7.2	<b>1E</b>	4000		1300		1500			1500		
	5	10	7.2	<b>1F</b>	3500		1100		1400			1400		
	5.5	7	7.2	<b>1G</b>	4000		1000		1200			1200		
	5.5	11.5	7.2	<b>1H</b>	2500		1000		1200			1200		
	6.5	8	7.2	<b>1I</b>	2500		800		1000			1000		
	7.2	8.5	7.2	<b>1J</b>	2500		700		1000			1000		
	7.2	13	7.2	<b>1K</b>	2000		700		950			1000		
	8.5	10	7.2	<b>1L</b>	2000		600		800			800		
8.5	14	7.2	<b>1M</b>	1500		600		800			800			
11	16	7.2	<b>1N</b>	1000		500		600			640			
<b>7.5 mm</b>	2.5	7	10	<b>2A</b>	5000				2500		4400	2500		
	3	8.5	10	<b>2B</b>	5000				2200		4300	2300		4150
	4	9	10	<b>2C</b>	4000				1700		3200	1700		3100
	4.5	9.5	10.3	<b>2D</b>	3500				1500		2900	1400		2700
	5	10.5	10.3	<b>2E</b>	3000				1300		2500	1300		
	5.7	12.5	10.3	<b>2F</b>	2000				1000		2200	1100		
	7.2	12.5	10.3	<b>2G</b>	1500				900		1800	1000		
<b>10 mm</b>	3	9	13	<b>3A</b>	3000				1100		2200			1900
	4	8.5	13.5	<b>FA</b>	3000				900		1600			1450
	4	9	13	<b>3C</b>	3000				900		1600			1450
	4	9.5	13	<b>3D</b>	3000				900		1600			1400
	5	10	13.5	<b>FB</b>	2000				700		1300			1200
	5	11	13	<b>3F</b>	3000				700		1300			1200
	6	12	13	<b>3G</b>	2400				550		1100			1000
	6	12.5	13	<b>3H</b>	2400				550		1100			1000
8	12	13	<b>3I</b>	2000				400		800			740	
<b>15 mm</b>	5	11	18	<b>4B</b>	2400				600		1200			1150
	5	13	19	<b>FC</b>	1000				600		1200			1200
	6	12.5	18	<b>4C</b>	2000				500		1000			1000
	6	14	19	<b>FD</b>	1000				500		1000			1000
	7	14	18	<b>4D</b>	1600				450		900			850
	7	15	19	<b>FE</b>	1000				450		900			850
	8	15	18	<b>4F</b>	1200				400		800			740
	8	17	19	<b>FF</b>	500				400		800			740
	9	14	18	<b>4H</b>	1200				350		700			650
	9	16	18	<b>4J</b>	900				350		700			650
<b>22.5 mm</b>	10	18	19	<b>FG</b>	500				300		650			590
	11	14	18	<b>4M</b>	1000				300		600			540
	5	14	26.5	<b>5A</b>	1200						800			770
	6	15	26.5	<b>5B</b>	1000						700			640
	7	16.5	26.5	<b>5D</b>	760						600			550
	8	20	28	<b>FH</b>	500						500			480
	8.5	18.5	26.5	<b>5F</b>	500						480			450
	10	22	28	<b>FI</b>	570*						420			380
10.5	19	26.5	<b>5G</b>	594*						400			360	
10.5	20.5	26.5	<b>5H</b>	594*						400			360	
11	21	26.5	<b>5I</b>	561*						380			350	
12	24	28	<b>FJ</b>	480*						350			310	

\* TPS (Tray-Packing-System). Plate versions may have different packing units. Samples and pre-production needs on request.

■ Moulded versions.

Rights reserved to amend design data without prior notification.



## Packing Quantities for Capacitors with Radial Pins in PCM 27.5 mm to 52.5 mm

PCM	Size				bulk	pcs. per packing unit											
						ROLL		REEL				AMMO					
	W	H	L	Codes		S	N	O	ø 360		ø 500		340 x 340		490 x 370		
								H16.5	H18.5	H16.5	H18.5	H16.5	H18.5	H16.5	H18.5	H16.5	H18.5
								F	I	H	J	A	C	B	D		
<b>27.5 mm</b>	9	19	31.5	<b>6A</b>	567*	-	-	-	-	460/340*	-	-	-	-	-	-	-
	11	21	31.5	<b>6B</b>	459*	-	-	-	-	380/280*	-	-	-	-	-	-	-
	13	24	31.5	<b>6D</b>	378*	-	-	-	-	300	-	-	-	-	-	-	-
	13	25	33	<b>FK</b>	405*	-	-	-	-	-	-	-	-	-	-	-	-
	15	26	31.5	<b>6F</b>	324*	-	-	-	-	270	-	-	-	-	-	-	-
	15	26	33	<b>FL</b>	324*	-	-	-	-	-	-	-	-	-	-	-	-
	17	29	31.5	<b>6G</b>	198*	-	-	-	-	-	-	-	-	-	-	-	-
	17	34.5	31.5	<b>6I</b>	198*	-	-	-	-	-	-	-	-	-	-	-	-
	20	32	33	<b>FM</b>	162*	-	-	-	-	-	-	-	-	-	-	-	-
20	39.5	31.5	<b>6J</b>	162*	-	-	-	-	-	-	-	-	-	-	-	-	
<b>37.5 mm</b>	9	19	41.5	<b>7A</b>	441*	-	-	-	-	-	-	-	-	-	-	-	
	11	22	41.5	<b>7B</b>	357*	-	-	-	-	-	-	-	-	-	-	-	
	13	24	41.5	<b>7C</b>	294*	-	-	-	-	-	-	-	-	-	-	-	
	15	26	41.5	<b>7D</b>	252*	-	-	-	-	-	-	-	-	-	-	-	
	17	29	41.5	<b>7E</b>	154*	-	-	-	-	-	-	-	-	-	-	-	
	19	32	41.5	<b>7F</b>	140*	-	-	-	-	-	-	-	-	-	-	-	
	20	39.5	41.5	<b>7G</b>	126*	-	-	-	-	-	-	-	-	-	-	-	
	24	45.5	41.5	<b>7H</b>	112*	-	-	-	-	-	-	-	-	-	-	-	
	28	38	41.5	<b>7L</b>	84*	-	-	-	-	-	-	-	-	-	-	-	
	31	46	41.5	<b>7I</b>	84*	-	-	-	-	-	-	-	-	-	-	-	
	35	50	41.5	<b>7J</b>	35*	-	-	-	-	-	-	-	-	-	-	-	
40	55	41.5	<b>7K</b>	28*	-	-	-	-	-	-	-	-	-	-	-		
<b>48.5 mm</b>	19	31	56	<b>8D</b>	120*	-	-	-	-	-	-	-	-	-	-		
	23	34	56	<b>8E</b>	80*	-	-	-	-	-	-	-	-	-	-		
	27	37.5	56	<b>8H</b>	84*	-	-	-	-	-	-	-	-	-	-		
	33	48	56	<b>8J</b>	25*	-	-	-	-	-	-	-	-	-	-		
	37	54	56	<b>8L</b>	25*	-	-	-	-	-	-	-	-	-	-		
<b>52.5 mm</b>	25	45	57	<b>9D</b>	70*	-	-	-	-	-	-	-	-	-			
	30	45	57	<b>9E</b>	60*	-	-	-	-	-	-	-	-	-			
	35	50	57	<b>9F</b>	25*	-	-	-	-	-	-	-	-	-			
	45	55	57	<b>9H</b>	20*	-	-	-	-	-	-	-	-	-			
	45	65	57	<b>9J</b>	20*	-	-	-	-	-	-	-	-	-			

\* for 2-inch transport pitches.

\* TPS (Tray-Packing-System). Plate versions may have different packing units. Samples and pre-production needs on request.

■ Moulded versions. Rights reserved to amend design data without prior notification.

Updated data on [www.wima.com](http://www.wima.com)



A WIMA part number consists of 18 digits and is composed as follows:

- Field 1 - 4: Type description
- Field 5 - 6: Rated voltage
- Field 7 - 10: Capacitance
- Field 11 - 12: Size and PCM
- Field 13 - 14: Version code (e.g. Snubber versions)
- Field 15: Capacitance tolerance
- Field 16: Packing
- Field 17 - 18: Pin length (untaped)

1	2	3	4	5	6	7	8	9	10	11	12	13	14	15	16	17	18
<b>M</b>	<b>K</b>	<b>S</b>	<b>2</b>	<b>C</b>	<b>0</b>	<b>2</b>	<b>1</b>	<b>0</b>	<b>0</b>	<b>1</b>	<b>A</b>	<b>0</b>	<b>0</b>	<b>M</b>	<b>S</b>	<b>S</b>	<b>D</b>
MKS 2				63 VDC		0.01 µF			2.5x6.5x7.2		-		20%	bulk	6 -2		

<p><b>Type description:</b></p> <p>SMD-PET = SMDT  SMD-PEN = SMDN  SMD-PPS = SMDI  FKP 02 = FKPO  MKS 02 = MKS0  FKS 2 = FKS2  FKP 2 = FKP2  FKS 3 = FKS3  FKP 3 = FKP 3  MKS 2 = MKS2  MKP 2 = MKP2  MKS 4 = MKS4  MKP 4 = MKP4  MKP 10 = MKP1  FKP 4 = FKP4  FKP 1 = FKP1  MKP-X2 = MKX2  MKP-X1 R = MKX1  MKP-Y2 = MKY2  MP 3-X2 = MPX2  MP 3-X1 = MPX1  MP 3-Y2 = MPY2  MP 3R-Y2 = MPRY  MKP 4F = MKPF  Snubber MKP = SNMP  Snubber FKP = SNFP  GTO MKP = GTOM  DC-LINK MKP 4 = DCP4  DC-LINK MKP 6 = DCP6  DC-LINK HC = DCHC</p>	<p><b>Rated voltage:</b></p> <p>50 VDC = B0  63 VDC = C0  100 VDC = D0  250 VDC = F0  400 VDC = G0  450 VDC = H0  520 VDC = H2  600 VDC = I0  630 VDC = J0  700 VDC = K0  800 VDC = L0  850 VDC = M0  900 VDC = N0  1000 VDC = O1  1100 VDC = P0  1200 VDC = Q0  1250 VDC = R0  1500 VDC = S0  1600 VDC = T0  1700 VDC = TA  2000 VDC = U0  2500 VDC = V0  3000 VDC = W0  4000 VDC = X0  6000 VDC = Y0  250 VAC = 0W  275 VAC = 1W  300 VAC = 2W  305 VAC = AW  350 VAC = BW  440 VAC = 4W  500 VAC = 5W  ...</p>	<p><b>Capacitance:</b></p> <p>22 pF = 0022  47 pF = 0047  100 pF = 0100  150 pF = 0150  220 pF = 0220  330 pF = 0330  470 pF = 0470  680 pF = 0680  1000 pF = 1100  1500 pF = 1150  2200 pF = 1220  3300 pF = 1330  4700 pF = 1470  6800 pF = 1680  0.01 µF = 2100  0.022 µF = 2220  0.047 µF = 2470  0.1 µF = 3100  0.22 µF = 3220  0.47 µF = 3470  1 µF = 4100  2.2 µF = 4220  4.7 µF = 4470  10 µF = 5100  22 µF = 5220  47 µF = 5470  100 µF = 6100  220 µF = 6220  1000 µF = 7100  1500 µF = 7150  ...</p>	<p><b>Size:</b></p> <p>4.8x3.3x3 Size 1812 = KA  4.8x3.3x4 Size 1812 = KB  5.7x5.1x3.5 Size 2220 = QA  5.7x5.1x4.5 Size 2220 = QB  7.2x6.1x3 Size 2824 = TA  7.2x6.1x5 Size 2824 = TB  10.2x7.6x5 Size 4030 = VA  12.7x10.2x6 Size 5040 = XA  15.3x13.7x7 Size 6054 = YA  2.5x7x4.6 PCM 2.5 = 0B  3x7.5x4.6 PCM 2.5 = 0C  2.5x6.5x7.2 PCM 5 = 1A  3x7.5x7.2 PCM 5 = 1B  2.5x7x10 PCM 7.5 = 2A  3x8.5x10 PCM 7.5 = 2B  3x9x13 PCM 10 = 3A  4x9x13 PCM 10 = 3C  5x11x18 PCM 15 = 4B  6x12.5x18 PCM 15 = 4C  5x14x26.5 PCM 22.5 = 5A  6x15x26.5 PCM 22.5 = 5B  9x19x31.5 PCM 27.5 = 6A  11x21x31.5 PCM 27.5 = 6B  9x19x41.5 PCM 37.5 = 7A  11x22x41.5 PCM 37.5 = 7B  19x31x56 PCM 48.5 = 8D  25x45x57 PCM 52.5 = 9D  ...</p>	<p><b>Tolerance:</b></p> <p>±20% = M  ±10% = K  ±5% = J  ±2.5% = H  ±1% = E  ...</p> <p><b>Packing:</b></p> <p>AMMO H16.5 340x340 = A  AMMO H16.5 490x370 = B  AMMO H18.5 340x340 = C  AMMO H18.5 490x370 = D  REEL H16.5 360 = F  REEL H16.5 500 = H  REEL H18.5 360 = I  REEL H18.5 500 = J  ROLL H16.5 = N  ROLL H18.5 = O  BLISTER W12 180 = P  BLISTER W12 330 = Q  BLISTER W16 330 = R  BLISTER W24 330 = T  Bulk/TPS Standard = S  ...</p>
			<p><b>Version code:</b></p> <p>Standard = 00  Version A1 = 1A  Version A1.1.1 = 1B  Version A2 = 2A  ...</p>	<p><b>Pin length (untaped)</b></p> <p>3.5 ±0.5 = C9  6 -2 = SD  16 ±1 = P1  ...</p> <p><b>Pin length (taped)</b></p> <p>none = 00</p>

The data on this page is not complete and serves only to explain the part number system. Part number information is listed on the pages of the respective WIMA range.